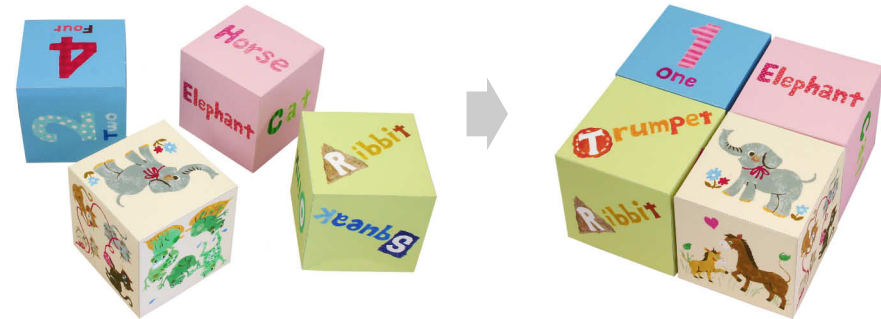




HOW TO PLAY

This puzzle features six different animals and their names, calls, and numbers for children to match. It's a great opportunity to have fun with your child as you match the pictures, introducing numbers and encouraging children to think.

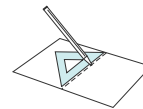


HOW TO MAKE



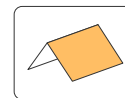
YOU WILL NEED

Scissors, glue, ruler, a used ball-point pen



ASSEMBLY TIP

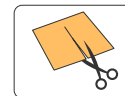
Tracing along fold lines using a ruler and a dried-up pen will make folding easier, and result in sharper folds.



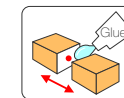
----- Mountain fold
(Dotted line)



----- Valley fold
(Dashed and dotted line)



————— Cut line
(Solid line)



● Glue
(Red dot)



➔ Insert
(Arrow)

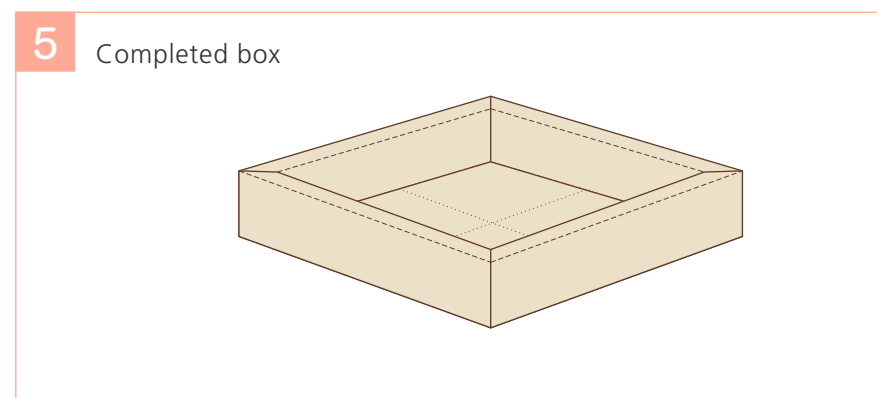
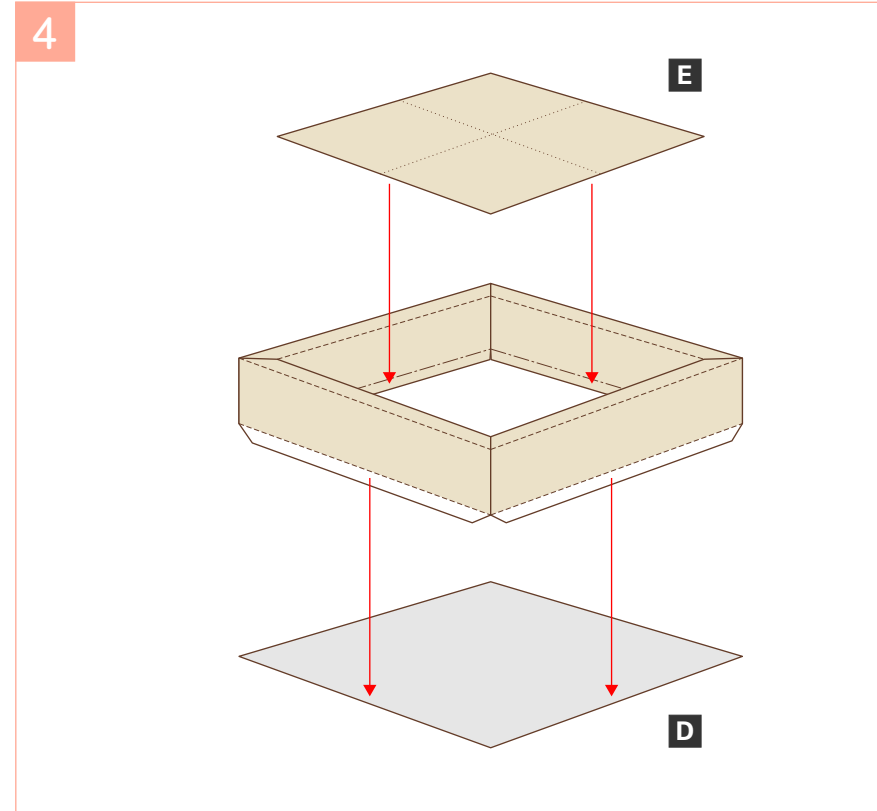
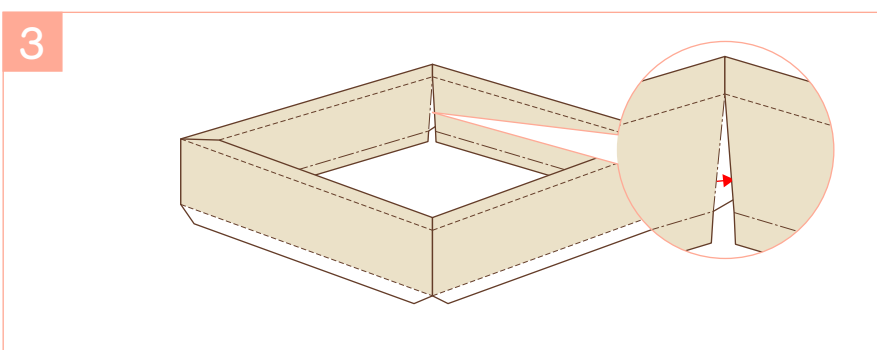
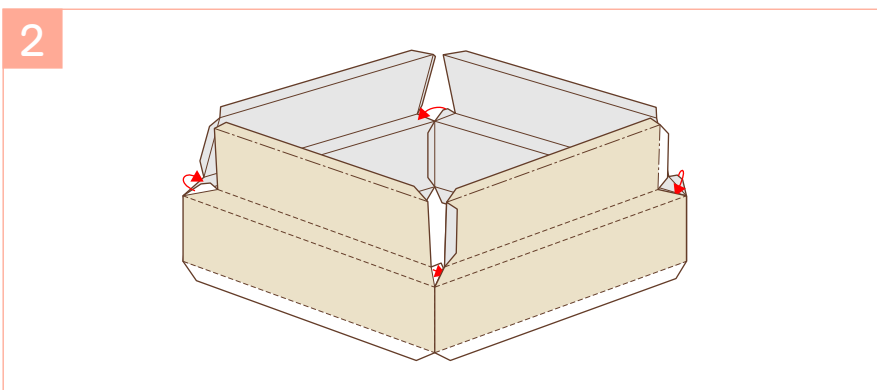
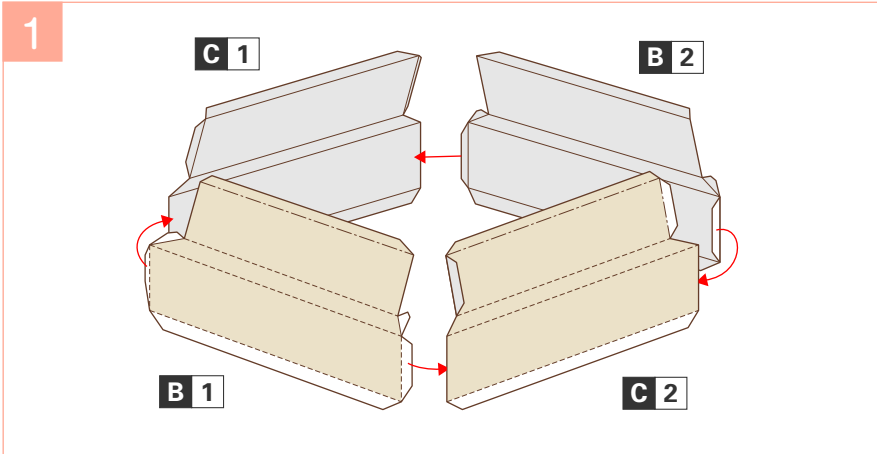
Assembly Instructions: 3 sheets

Number of parts: 10



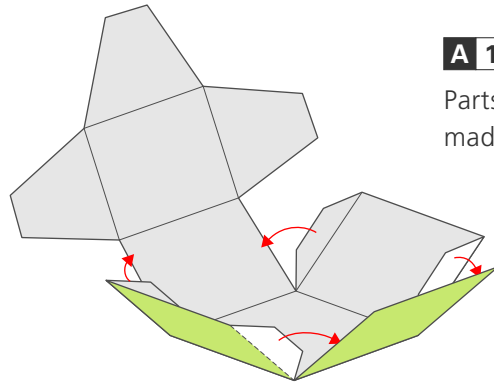
Caution: This craft requires the use of glue, scissors, and other tools which may be dangerous to young children. Please keep them out of reach of children while you work. The finished craft may have sharp corners, so please keep a close eye on children when they play with it. Please also ensure that children do not put the pieces in their mouth as this can be extremely dangerous.

ASSEMBLE THE BOX



ASSEMBLE THE CUBE

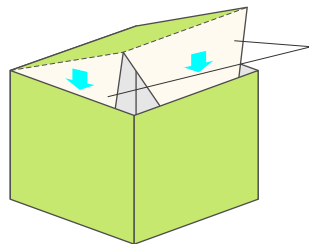
1



A 1 ~ **A 4**

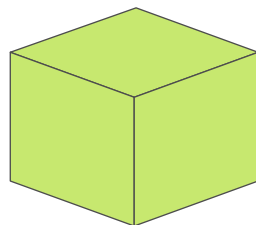
Parts A1 to A4 are made in the same way.

2



Insert the flaps without adding any glue.

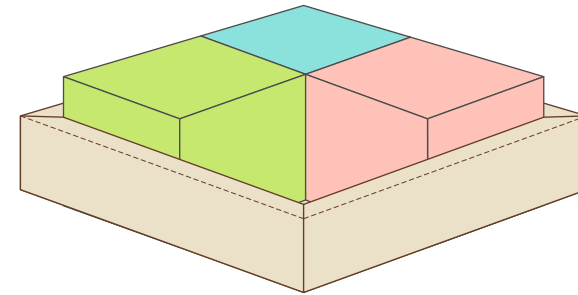
3



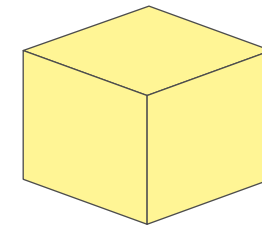
Completed cube

COMPLETE

1



Put the four completed cubes in the box.



2

Refer to the "How to Play" instructions on the first page, and have fun matching the cubes!

