

Special Vehicle Series : 02

Hydraulic Excavator Assembly Instructions



View of completed model

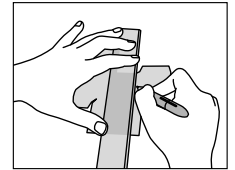
* This model was designed for Papercraft and may differ from the original in some respects.

Tools

- Scissors
- Ruler, set square
- Glue (Wood glue or craft glue recommend)
- Exhausted ballpoint pen (out of ink)
- Toothpicks (for use in applying glue)
- Tweezers (useful for handling small parts)
- Pencil

Assembly tip

- Write the number of each part on the reverse side of the part in pencil upon cutting it out, to be sure you can tell which part is which later.
- Before gluing, crease the paper along mountain and valley fold lines. Trace along the folds with a ruler and an exhausted ballpoint pen (out of ink) to get a sharper fold.
- Make sure rounded sections are nice and stiff.



Key to symbols

Pattern

Dotted line		Mountain fold Fold so that the printed pattern faces outside.
Dashed and dotted line		Valley fold Fold so that the printed pattern faces inside.
Solid line		Cut parts out along this line.
Solid red line		Cut a notch along this line.
Diagonal grey lines		Cut these areas out.

	The dots show where to glue the pieces together. Glue the pieces together as shown in the following examples. Some parts must be glued together along the cut surfaces.
	Red dot Glue parts with the same number together. (Numbers are not printed on very small parts.)
	Green dot Glue areas within the same part together.
	Blue dot Glue to the reverse side of the specified part.

Assembly instructions

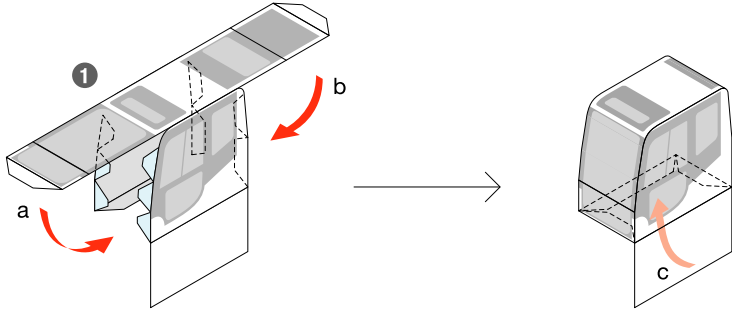
	Glue
	Insert (without gluing)
	Glue tab
	Reverse side of paper
	Movable part This denotes a part that must be able to move after the model is completed. Be sure to crease these parts sufficiently.

Glue, scissors and other tools may be dangerous to young children so be sure to keep them out of the reach of young children.

■ Assembly Instructions: Six A4 sheets (No. 1 to No. 6)
Build this model with careful reference to the Assembly Instructions.

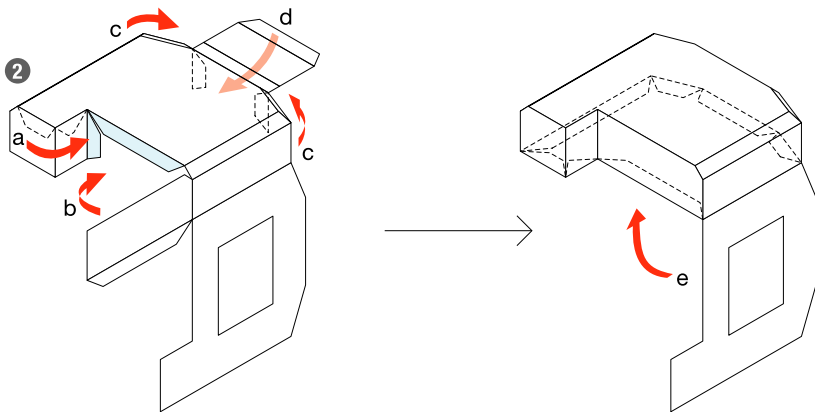
A

Assemble the cab.
Glue flaps a, b, and c in order.



B

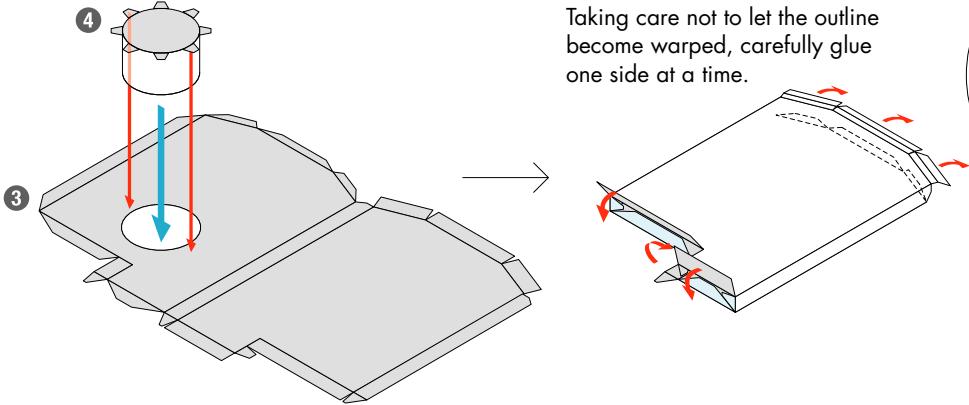
Glue flaps a, b, c, d, and e in order.



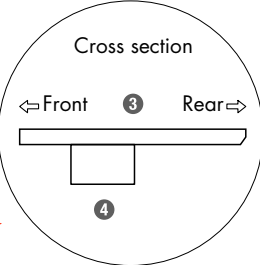
C

Before assembling part 3, insert part 4 in what will become the inside surface of part 3 and glue it in place.

Taking care not to let the outline become warped, carefully glue one side at a time.



Cross section
⇐ Front 3 Rear ⇒



Use care with the form of the rear portion of the part, making sure the top of this rear surface is flat.

D

Assemble part 7 and then insert part 8 from the bottom and glue it in place. Insert part 9 to the inside of part 8 and glue it in place. Glue part 12 in place to cover the hole and glue spot.

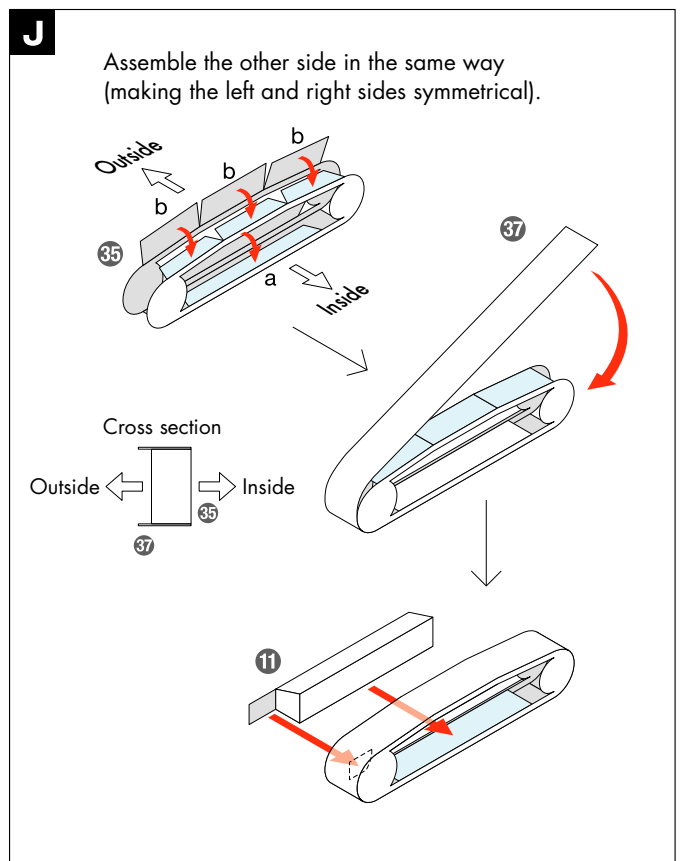
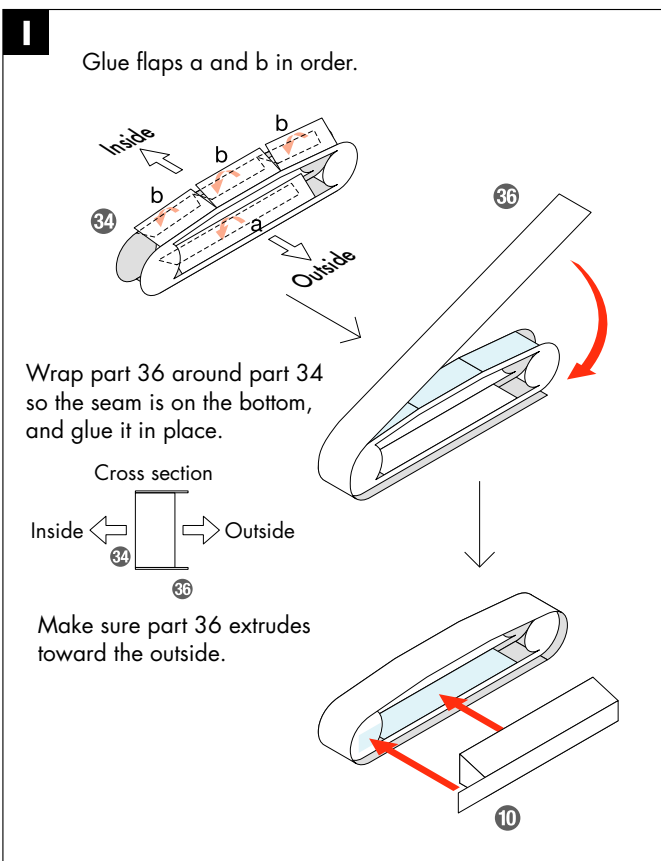
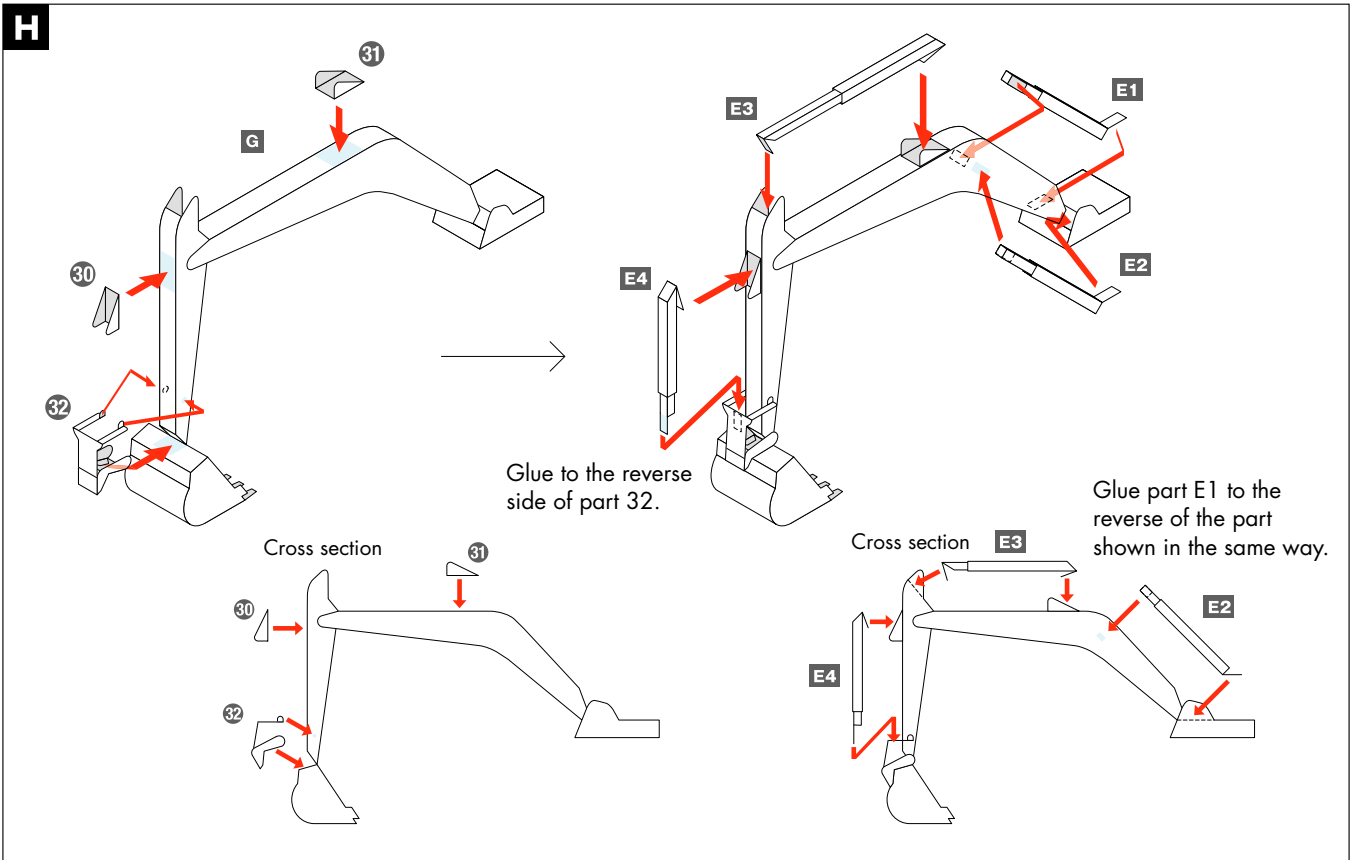
E

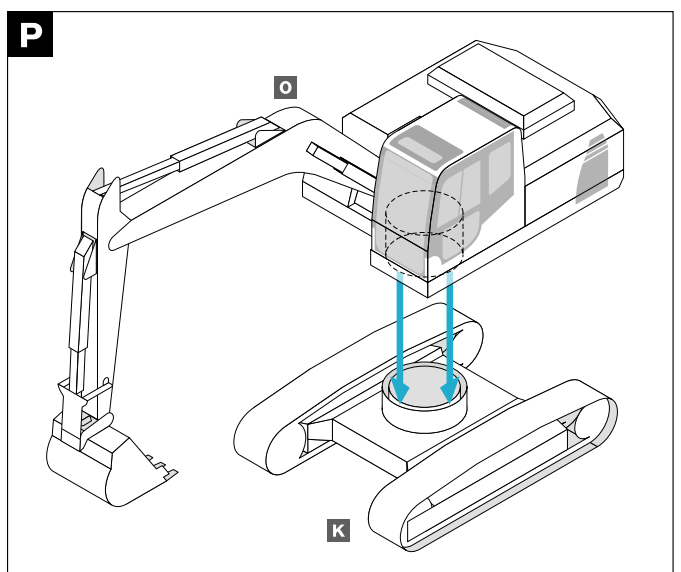
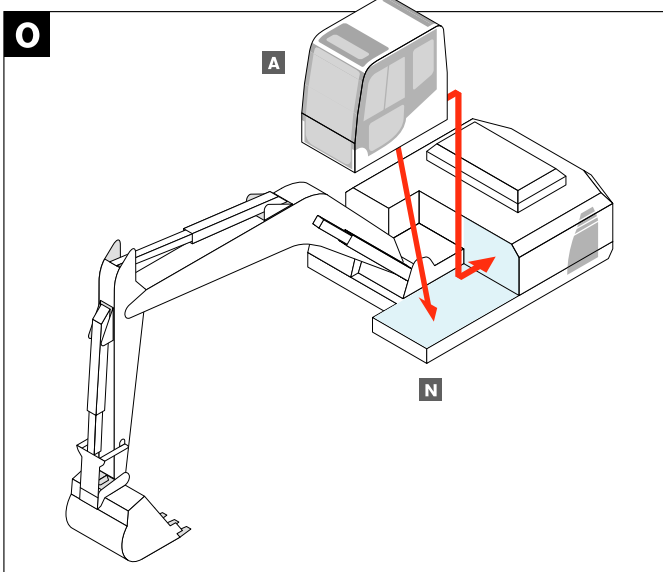
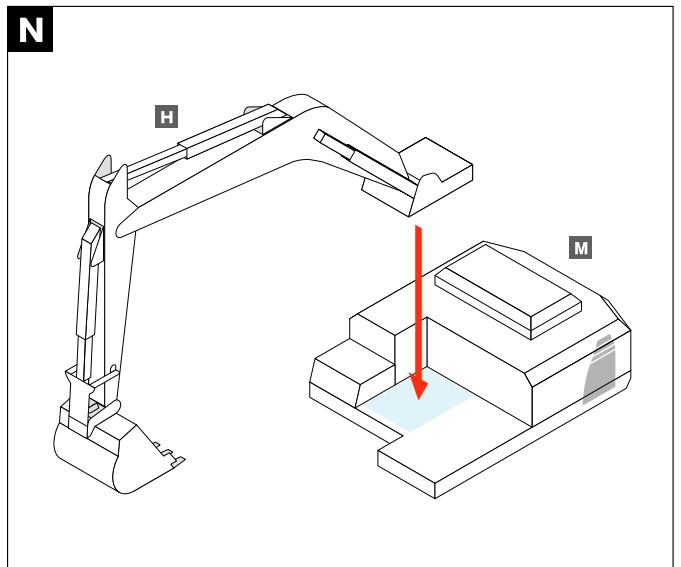
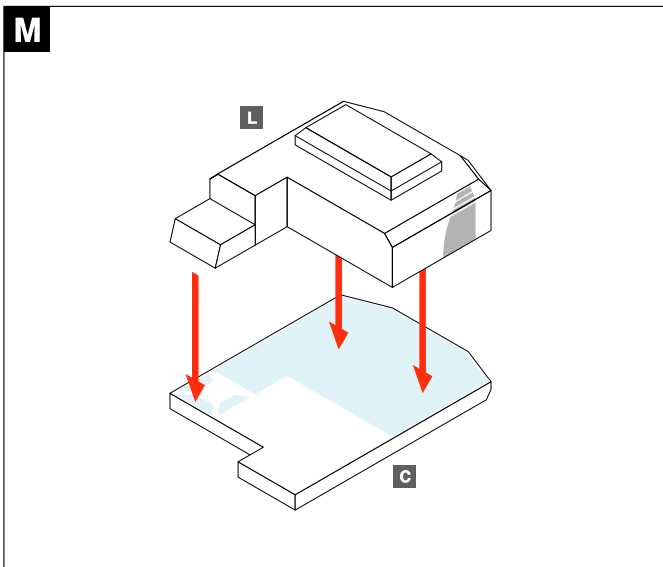
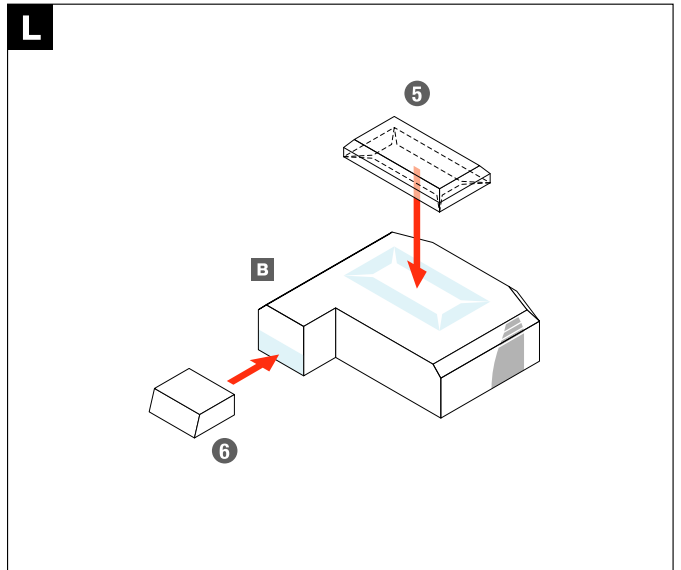
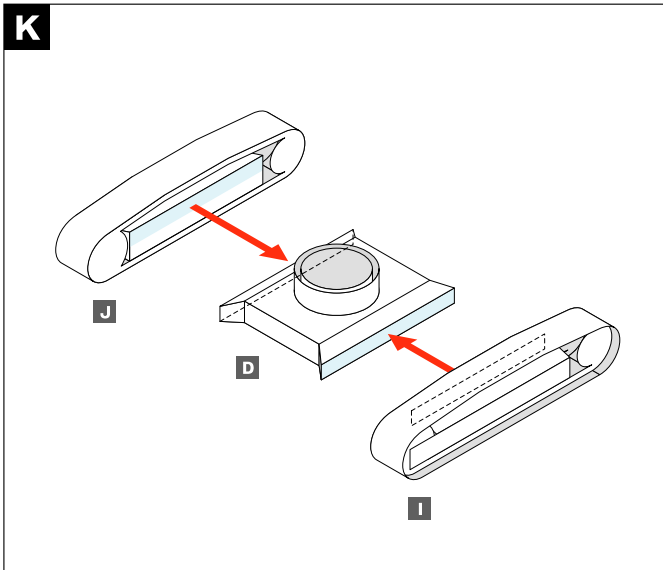
When assembling these pieces, be very careful to ensure the mountain and valley folds are as shown in the illustration. Insert the pieces after checking the fit.

F

Take care to glue the components of this piece together in the order shown.

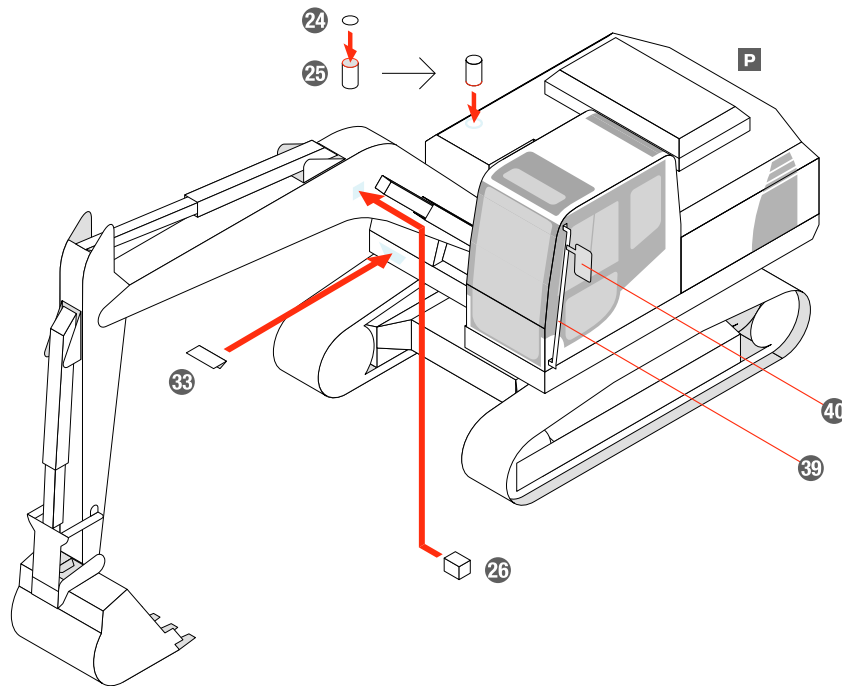
G



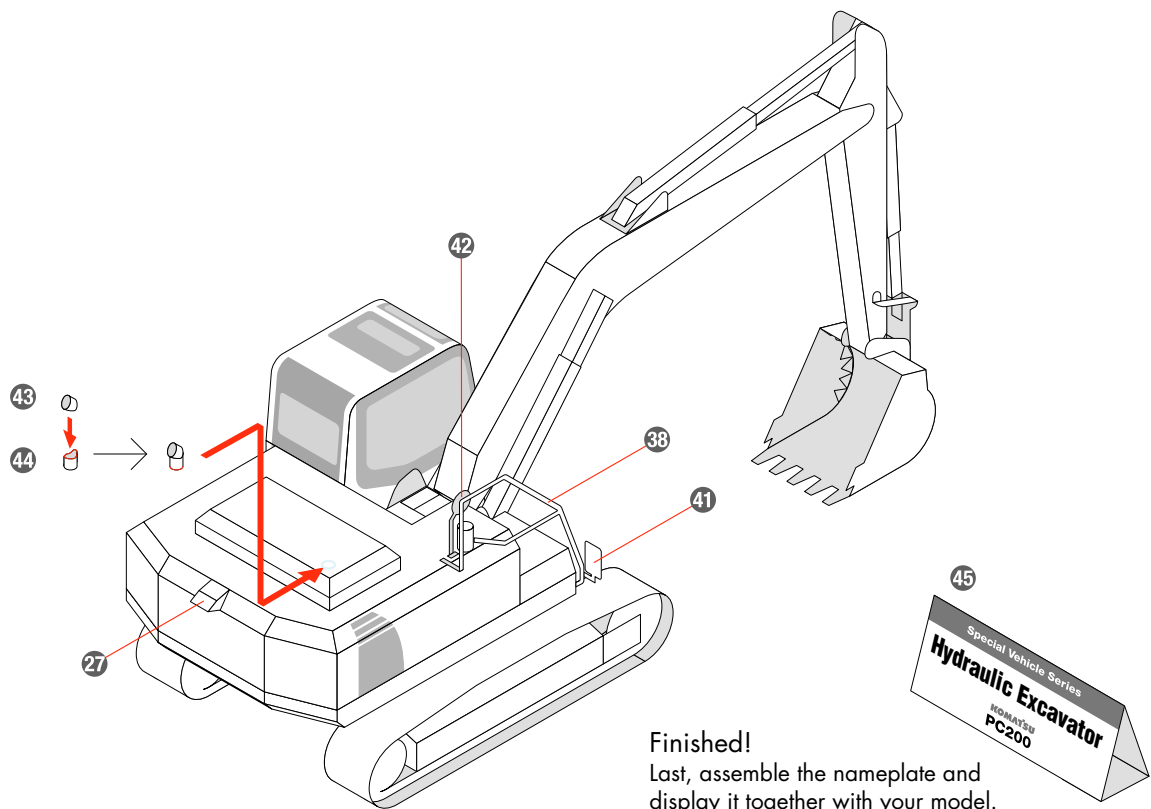


Q

On parts with no glue tabs, apply glue to the cut surface of the paper and glue this part to the body of the hydraulic excavator, concealing the glue tabs. (Refer to the photograph of the completed model.)



R



Finished!
Last, assemble the nameplate and display it together with your model.